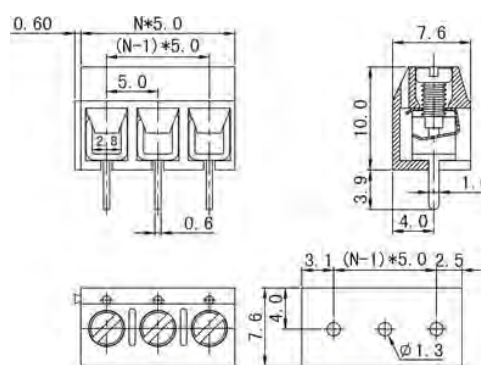


## PCB WIRE PROTECTOR TERMINAL BLOCKS

**ULO-TB51-306/5.0**
**Pitch: 5.0mm**

*N: Number of poles*

Standard	UL	TUV
Rated voltage	300V	250V
Rated current	10A	15A
Wire range	26-12AWG	0.2-4mm <sup>2</sup>
Withstanding voltage	AC2000V/1Min	
Torque	0.4Nm(3.5Lb-In.)	
Ambient temperature	-30°C~+120°C	
Strip length	5-6mm	
Pitch	5.0mm(.197") 5.08mm(200")	
Poles	2P,3P-24P	
Housing	PBT,UL94V-0	
Screws	M2.5,steel,Cr <sup>3+</sup> Zn plated	
Contact	Brass,Tin plated	
Cage	Stainless steel	

### HOW TO ORDER:

ULO - TB<sub>2</sub>XX - XX...X - XX P - X X X 0A  
 1 2 3 4 5 6 7 8

- 1 Company name. ULO
- 2 Model.
- 3 Material code. Any letters and (or) digits for factory material code.
- 4 Number of poles. Two digits from 02 to 24.
- 5 Colour of housing. One digit from 1 to 9.  
 1. Grey; 2. Blue; 3. Black; 4. Green; 5. Orange; 6. Red; 7. Transparent; 8. Yellow; 9. White.
- 6 Screw head type. One digit 0 or 1. 0. Slot screw; 1. Cross screw.
- 7 Screw clamping type. One digit 0 or 1. 0. Screw down; 1. Screw up.
- 8 Brass cage. '0A' Normal brass cage product.